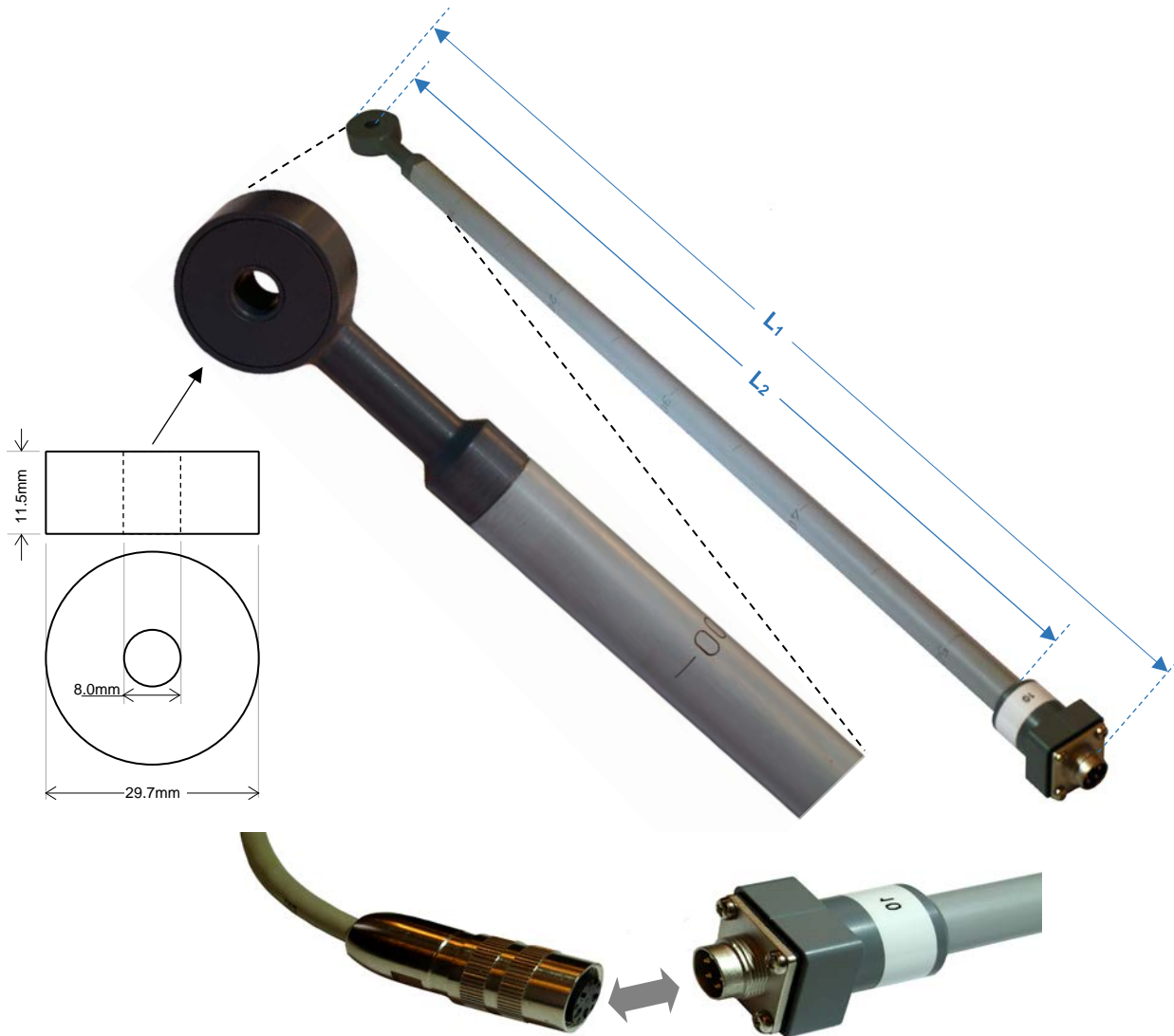


Measuring Probe LP02

The Standard Measuring Probe LP02 contains an internal shield to attenuate the external noise. In addition, the probe and the cable can be separated from each other, allowing a great flexibility.



Technical Data:

- Spatial resolution : 48,4 mm²
- Cable length : 1500 mm
- Measuring probe length : $L_1 = 595$ mm, $L_2 = 535$ mm (Customer specific lengths to 2000 mm feasible)